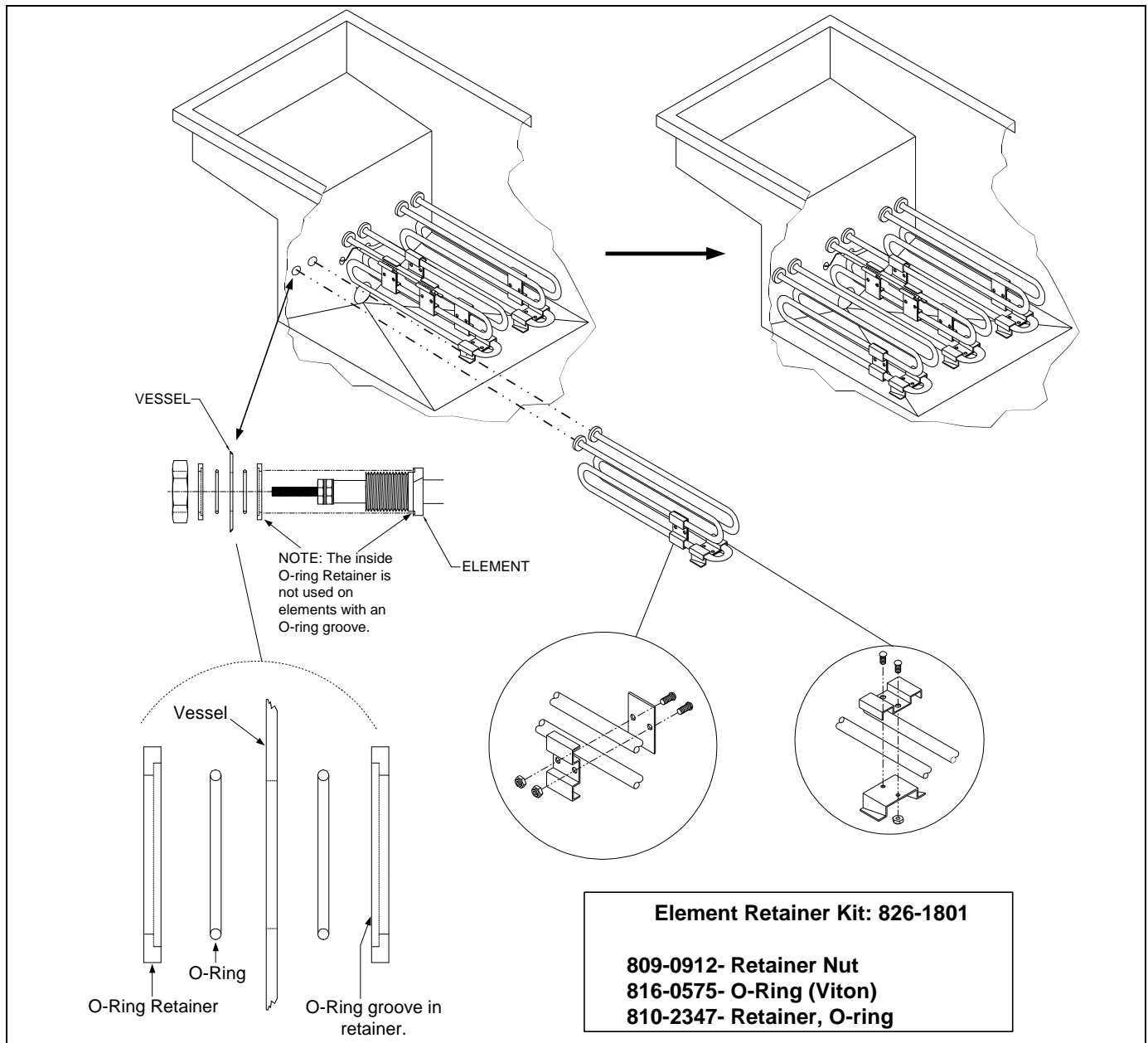


Fixed Element Replacement: Cool Zone Electric Fryers Installation Instructions

The following instructions document the removal and replacement of fixed heating elements in Dean Cool Zone Electric fryers. A detailed illustration is provided as a reference when removing and installing fixed heating elements.



When installing heating elements, assemble O-rings and retainers in the order shown above. Ensure the grooves of the O-ring retainers are facing the O-rings (see illustration). Remove element supports from the old element and install on the new element as illustrated. Ensure all mounting brackets, including probe and high-limit brackets, are properly attached. Questions? Call 1-800-551-8633 for service.